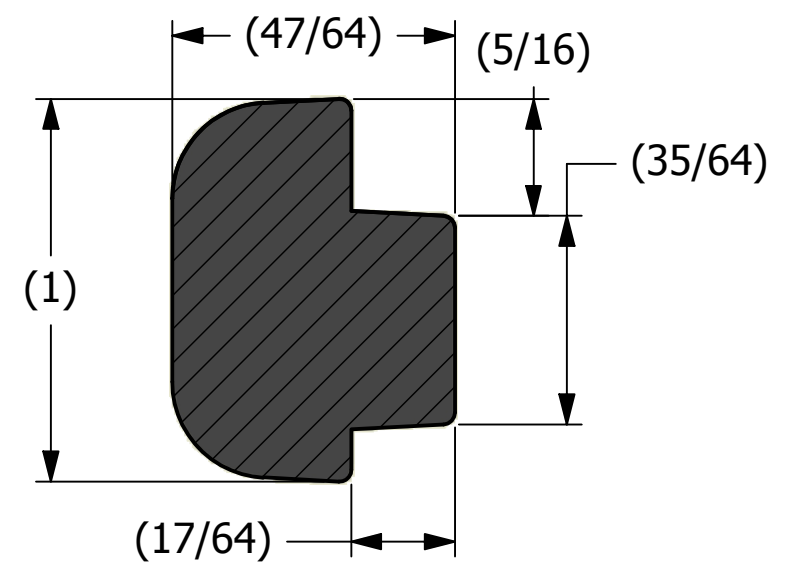
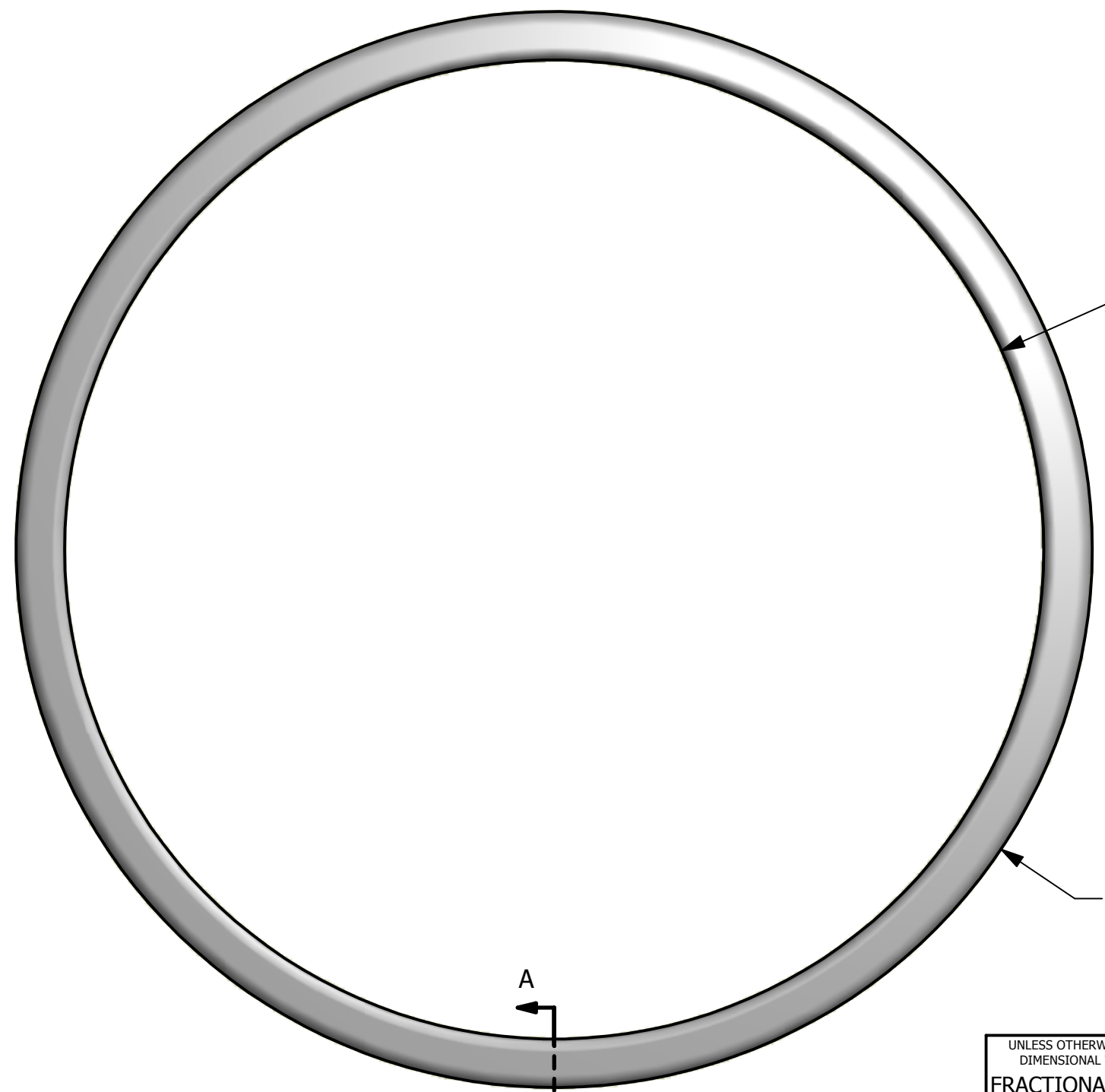


SALES DRAWING

SALES DRAWING



SECTION A-A  
SCALE 2 : 1

REV	BY	DATE	DESCRIPTION
G	REH	3-16-10	ADDED MATERIAL NOTE
F	ACC	12-11-96	REMOVE TAB DESIGN
E	JWO	3-6-96	CHANGED DESIGN

<small>UNLESS OTHERWISE SPECIFIED DIMENSIONAL TOLERANCES</small> FRACTIONAL: ±1/16 X.XX: ±.03 X.XXX: ±.015 ANGULAR: ±1° <small>DEBURR ALL SHARP EDGES. ALL MACHINED SURFACES TO HAVE A 125 RMS FINISH UNLESS NOTED OTHERWISE.</small> <small>THIRD ANGLE PROJECTION</small>	DRAWN BY:	BJC
	CHECKED BY:	
	PROTOTYPE BY:	BJC
	PROTOTYPE DATE:	3/30/1996
	APPROVED FOR PRODUCTION BY:	BJC
	PRODUCTION DATE:	3/30/1994

PART NAME: GASKET		
MATERIAL: SEE NOTE		
PROJECT #: 010907	SHEET #: 1 OF 1	SCALE: 1:3
DRAWING #: B6544	PART #: HCG20A	

THIS PRINT, PROPERTY OF SALCO PRODUCTS INC., CONTAINS PROPRIETARY INFORMATION AND MUST NOT BE COPIED, REPRODUCED, OR USED DETRIMENTALLY TO OUR INTEREST.